

The following features are available in this PDF document.



Quick Keyword Search

Enter the keyword in the search box and hit the search button



Quick Jump between Chapters

Click the title of a specific chapter on the Contents to jump to it

*Reading software such as Adobe Reader is needed to support the functions above.



ZHIYUN MOLUS B300/B500
COB Light
User Guide

Contents

<input type="checkbox"/> Brief Introduction	
Brief Introduction	1
<input type="checkbox"/> Product List	
Product List	3
<input type="checkbox"/> Get to Know ZHIYUN MOLUS B300/B500	
Get to Know ZHIYUN MOLUS B300/B500	4
<input type="checkbox"/> Power Supply	
Power Supply	5
<input type="checkbox"/> Installing Accessories	
Installing/Detaching the Reflector	6
Installing a Light Stand	7
Installing/Detaching the Umbrella	8
<input type="checkbox"/> How to Use ZHIYUN MOLUS B300/B500	
Buttons and Dials	9
Operation Instructions	10
Power-On Settings	11
<input type="checkbox"/> Firmware Upgrade	
<input type="checkbox"/> Product Specifications	
<input type="checkbox"/> Disclaimer and Warnings	
Reading Tips	16
Safe Operation Instructions	17

Warranty Card

Warranty Period 18

Warranty Exclusions 18

Warranty Claim Procedure 18




Contact Card

Brief Introduction

ZHIYUN MOLUS B300/B500 is a high-power, high-illumination, portable fill light that supports brightness/color temperature adjustment functions. It is small in size but performs excellently, with an integrated design that is easy to operate and efficient. It comes with an industry-standard Bowens mount, has excellent accessory compatibility, and meets the lighting needs of video recording, live interviews, still photography, and other shooting scenarios. The product has the following features:

1. Lightweight, portable, simple and easy to operate, with excellent performance.
2. Easy adjustment of brightness/color temperature, suitable for a wide range of applications.
3. High-power, high-illumination for large spaces and scenes in low-light environments.
4. High color rendering performance, accurately restoring object colors.
5. Supports Bluetooth mesh networking and remote dimming through an app, improving lighting efficiency and convenience.
6. Comes with built-in lighting effects for more creative shooting.
7. Comes with standard Bowens mount, compatible with various light control accessories.
8. Features screen for clear and convenient parameter settings.
9. Built with DynaVort™ Cooling System to excellently dissipate heat.
10. Features a reliable bracket with disc-brake design that can adjust direction and can be installed on a light stand or used with an umbrella.

WARNING

-  This product is not waterproof. Prevent contact with any kind of liquid with the ZHIYUN MOLUS B300/B500. Never use the product in the rain or a humid environment.
-  If water accidentally enters the device when using, please stop using it immediately and contact the company or authorized maintenance personnel for maintenance, and continue to use it only when the maintenance is finished.
-  Do not expose this product to corrosive chemicals, inflammable and explosive materials.

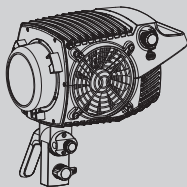
- ⚠ Do not touch the heating part when the product is working to avoid getting burned.
- ⚠ Before using this product, please connect it to a grounded outlet.
- ⚠ Do not wrap or block the fans to avoid cooling effect damage.
- ⚠ Do not turn the product directly to the eyes to avoid eyesight damage.
- ⚠ Do not expose this product to an environment above 40°C .

BE CAREFUL

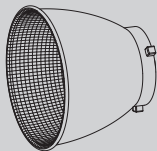
1. This product is a high-precision control device. Damage may be caused to the product if dropped or subject to external force, and this may result in malfunction.
2. Please keep your hands dry while using the product and use soft dry cloth for cleaning.
3. Keep this product out of the reach of children.
4. When not using this product, please disconnect the external power supply.
5. Do not place any other items on top of this product to avoid damage to this product.
6. Protect the product from dust and sand during use.
7. Before storing this product, please make sure it is completely cooled and store it in a dry and ventilated place.
8. Do not disassemble this product on your own. In the event of malfunctions, it should be repaired by ZHIYUN or authorized maintenance personnel.

Product List

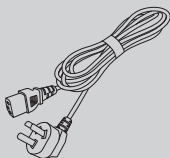
Before using this product, please check carefully that all the following items are included in the product package. In case that any item is found missing, please contact ZHIYUN or your local selling agent.



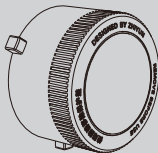
ZHIYUN MOLUS B300/B500 COB Light
x1



Reflector x1



AC Power Cable x1

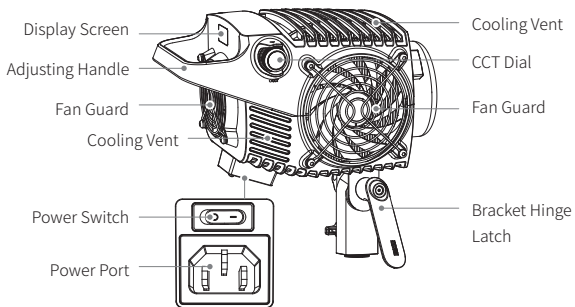
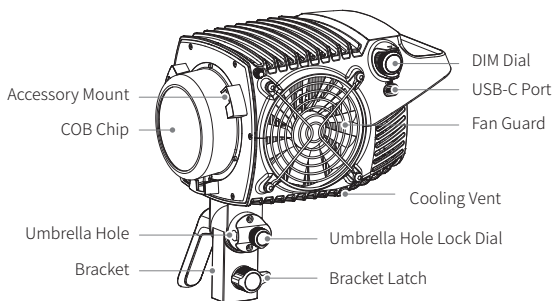


COB Chip Cap x1



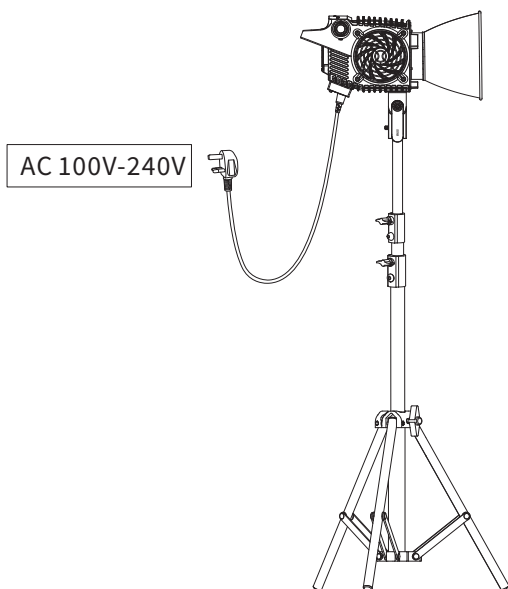
Quick Start Guide x1

Get to Know ZHIYUN MOLUS B300/B500



Power Supply

This product does not contain batteries. To ensure normal operation, please follow these steps: Use the provided AC power cable to connect the ZHIYUN MOLUS B300/B500 to the AC power outlet to supply power to the B300/B500.

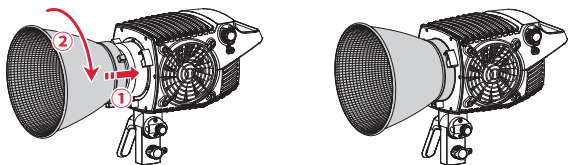


Installing/Detaching the Reflector

ZHIYUN MOLUS B300/B500 is compatible with standard Bowens mount accessories, and in this case, we will use the standard reflector (Bowens mount) as an example for installation.

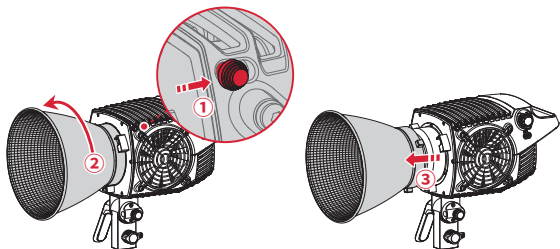
Installing:

Align the mount of the standard reflector with the accessory mount of the MOLUS B300/B500, and install the standard reflector onto the light body ①. Press the standard reflector slightly into the mount of the light body, and rotate the standard reflector clockwise until it is locked in place and cannot be rotated ②. The installation is then completed.



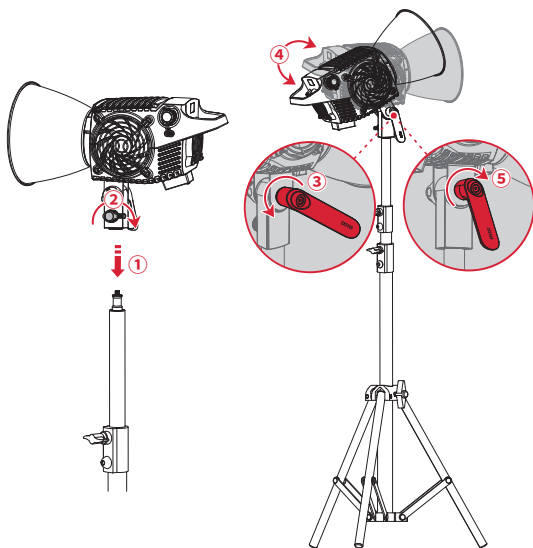
Detaching:

Pull the Bowens mount lock switch backward and do not release ①. Rotate the standard reflector counterclockwise ②, and then remove the standard reflector from the light body ③ to complete the disassembly.



Installing a Light Stand

Align the end of the bracket with the 1/4 screw at the top of the light stand ① . Then, install the B300/B500 onto the light stand and tighten the bracket latch ② . Loosen the bracket hinge latch ③ and adjust the angle of the light body as you wish ④ . Finally, tighten the bracket hinge latch ⑤ .




 Light stand is not provided in the product package.

Installing/Detaching the Umbrella

Insert the handle of the umbrella into the umbrella hole on the bracket, and then tighten the umbrella lock clockwise. To detach the umbrella, rotate the umbrella lock counterclockwise and pull out the handle of the umbrella.



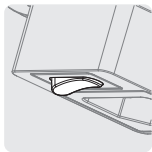
 Umbrella is not provided in the product package.

⚠ Staring at the glowing chip of the MOLUS B300/B500 during operation is strictly prohibited.

⚠ The protection level of the MOLUS B300/B500 outer case is IP20.

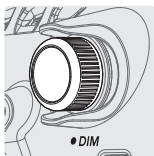
- 💡 ① During the use of the MOLUS B300/B500, when the temperature rises to a certain degree, the fan will automatically turn on to achieve the purpose of heat dissipation for the light.
- ② When the temperature is too high, the high-temperature protection mechanism of MOLUS B300/B500 will be activated to ensure the safe use of the light.
- ③ If the high-temperature protection mechanism is triggered, ZHIYUN MOLUS B300/B500 will automatically turn off. Once the temperature decreases, the light will automatically turn on again. During this period, please do not place the light on a wooden table or any other flammable surface.

Buttons and Dials



Power Switch:

Left press/right press: Power on/off



DIM Dial:

Single press:

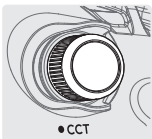
Quickly adjust the parameter. (CCT/FX).

Confirm (MENU).

Triple press: Reset Bluetooth.

Turn: Adjust the parameter.

Long press: Enter/exit the menu.



CCT Dial:

Single press: Quickly adjust the parameter. (CCT)

Turn: Adjust the parameter. (CCT)

Switch options. (FX/MENU)

Long press: Enter/exit FX mode.

Operation Instructions

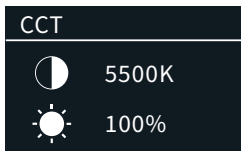
1. CCT Mode Settings

In the CCT mode interface, single press/turn the DIM dial to adjust the brightness.

Single press/turn the CCT dial to adjust the color temperature.

Brightness adjustment range: 0-100%

Color temperature adjustment range: 2700K-6500K

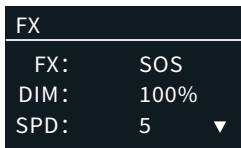



2. FX Mode Settings

Long press CCT dial to enter FX mode. Turn the CCT dial to switch to FX/

Brightness/Speed/Color temperature option. Single press/turn the DIM dial to adjust the chosen option.

FX types: SOS, Paparazzi, Flame, Faulty Bulb, TV, Lightning, Explosion, Welding, Flashlight, Color Temperature Loop, Color Temperature Flash, Color Temperature Pulse, Fireworks.



 The parameter values in a single light effect are only effective for that light effect.

3. MENU Settings

Long press DIM dial to enter MENU interface. Turn the CCT dial to switch to language/Bluetooth reset option. Turn the DIM dial to adjust the chosen option.

MENU	
Language:	English
BT Rst:	No
Firmware:	V1.76

Power-On Settings

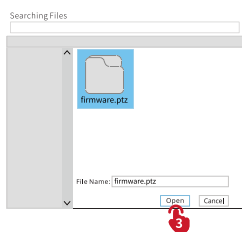
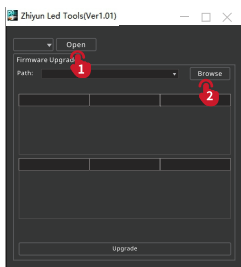
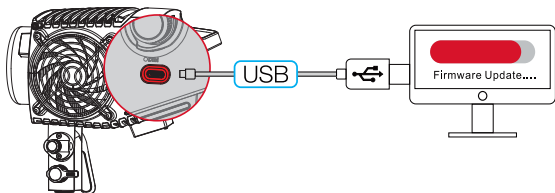
Normal mode: Before connecting ZHIYUN MOLUS B300/B500 to the AC power, the power switch is at the “O” side. When connected to power, you need to put the switch to the “—” side to power on the light.

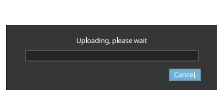
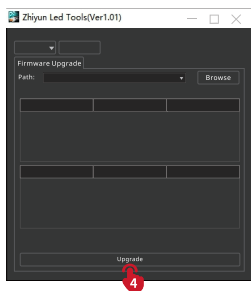
Live mode: Before connecting ZHIYUN MOLUS B300/B500 to the AC power, the power switch is at the “—” side. The light will be automatically powered on when connected to power.

You can use “Zhiyun Led Tools” or “ZY Vega” to perform the ZHIYUN MOLUS B300/B500 firmware upgrade.

Method 1:

1. Visit the official website of ZHIYUN (www.zhiyun-tech.com), go to the ZHIYUN MOLUS B300/B500 product page, click "Download", find the Zhiyun Led Tools and the firmware and download.
2. Unzip the firmware for the files with the ".ptz" file extension.
3. Connect the USB-C port of ZHIYUN MOLUS B300/B500 to the USB port of the computer with the USB Type-C cable.
4. Open "Zhiyun Led Tools", click "Open", and click "Firmware Upgrade". Click "Browse" under "Path" to select the latest firmware downloaded (with the ".ptz" file extension), and click "Upgrade" at the bottom to upgrade firmware. ZHIYUN MOLUS B300/B500 will automatically turn off when the upgrade is finished.





Method 2:

The firmware of the ZHIYUN MOLUS B300/B500 can be upgraded using the "ZY Vega" app. For more detailed instructions, please visit the ZHIYUN official website at www.zhiyun-tech.com and watch the related video tutorials for the ZHIYUN MOLUS B300/B500.

- ① When using Method 1 for the upgrade, please wait until the screen displays that the upgrade is finished, then you can plug out the USB Type-C cable.
- ② Before upgrading the firmware, please ensure that the ZHIYUN MOLUS B300/B500 has more than 50% power remaining. You can not exit the app interface or access in the background during the upgrading process. Pay attention to the prompts on the app.

Product Model: PLB106/PLB108

Product Model	ZHIYUN MOLUS B300 COB Light	ZHIYUN MOLUS B500 COB Light	Remark
Power	300W	500W	
Color Temperature Range	2700K-6500K		
Brightness Adjustment Range	0-100%		
CRI/TLCI	CRI \geq 95 TLCI \geq 97		
TM-30 Rf (on average)	94		
TM-30 Rg (on average)	101		
CQS	\geq 94		
Power Supply Standard	100-240V AC 50-60Hz		
Illuminance (CCT mode, maximum power, without reflector)	12400(lux)	19200(lux)	Lab Data1
Illuminance (CCT mode, maximum power, with reflector)	63200(lux)	76400(lux)	Lab Data2
Operation Temperature	-10°C -40°C		
Control Method	Device Control / App Bluetooth Control / Controller		

Product Model	ZHIYUN MOLUS B300 COB Light	ZHIYUN MOLUS B500 COB Light	Remark
Light Size (with bracket)	245*190*159mm		
Product Net Weight (without standard reflector)	2.57kg	2.80kg	

Lab Data 1 : The data is collected in the following conditions: No reflectors, 25°C temperature, indoor illuminance lower than 0.1lux, test distance 1m, and the color temperature is set at 5500K with 100% brightness. The illuminance is 12400(lux)/19200(lux). The actual illuminance varies under different conditions.

Lab Data 2 : The data is collected in the following conditions: Installed reflector, 25°C temperature, indoor illuminance lower than 0.1lux, test distance 1m, and the color temperature is set at 5500K with 100% brightness. The illuminance is 63200(lux)/76400(lux). The actual illuminance varies under different conditions.

Any data mentioned in this user guide is the result of internal testing at ZHIYUN Lab. Under different objective conditions, there may be varying degrees of error in the data. Please refer to actual experience with the device.

Thank you for purchasing this product. The information contains herein affects your safety, legitimate rights and obligation. Please read this instruction carefully to ensure proper configuration before use. Failure to read and follow this instruction and warnings herein may result in serious injury to you or bystanders, or damage to your device or property. Guilin Zhishen Information Technology Co., Ltd (hereinafter referred to as "ZHIYUN") reserves all rights for final explanation of this instruction and other documents related to this product. The information is subject to update without notice. Please visit www.zhiyun-tech.com to obtain the latest product information.

By using this product, you hereby signify that you have read this document carefully and that you understand and agree to abide by the terms and conditions herein. You agree that you are solely responsible for your own conduct while using this product, and for any consequences thereof. You agree to use this product only for purposes that are proper and in accordance with all terms, precautions, practices, policies and guidelines ZHIYUN has made and may make available.

ZHIYUN accepts no liability for damage, injury or any legal responsibility incurred directly or indirectly from the use of this product. Users shall observe safe and lawful practices including, but not limited to, those set forth herein.

ZHIYUN™ is the trademark of Guilin Zhishen Information Technology Co., Ltd and its affiliates. All product names or trademarks referred to herein are trademarks or registered trademarks of their respective holders.

Reading Tips

Legends:  Hints and Tips

 Important

Safe Operation Instructions

Read the ENTIRE User Guide to become familiar with the features of this product before operating. Failure to operate the product correctly can result in damage to the product or personal property and cause serious injury. This is a sophisticated product. It must be operated with caution and common sense and requires some basic mechanical ability. Failure to operate this product in a safe and responsible manner could result in injury or damage to the product or other property. This product is not intended for use by children without direct adult supervision. DO NOT use with incompatible components or in any way otherwise as mentioned or instructed in the product documents provided by ZHIYUN. The safety guidelines herein contain instructions for safety, operation and maintenance. It is essential to read and follow all of the instructions and warnings in the User Guide, prior to assembly, setup or use, in order to operate the product correctly and avoid damage or serious injury.

Warranty Period

1. Customers are entitled to replacement or free repair service in case of quality deficits found in the product within 15 days upon receipt of the product.
2. Customers are entitled to free repair service from ZHIYUN for any product proven defective in material or workmanship that results in product failure during normal consumer usage and conditions within the valid warranty period, which is 12 months counting from the date of selling. However, warranty period varies by product component and country of purchase. Please contact our after-sales service team on ZHIYUN official website or your place of purchase for detailed warranty information.

Warranty Exclusions

1. Products subjected to unauthorized repair, misuse, collision, neglect, mishandling, soaking, accident, and unauthorized alteration.
2. Products subjected to improper use or whose labels or security tags have been torn off or altered.
3. Products whose warranty has expired.
4. Products damaged due to force majeure, such as fire, flood, lightning, etc.

Warranty Claim Procedure

1. If failure or any problem occurs to your product after purchase, please contact a local agent for assistance, or you can always contact ZHIYUN's customer service through email at info@zhiyun-tech.com or website at www.zhiyun-tech.com.
2. Your local agent or ZHIYUN's customer service will guide you through the whole service procedure regarding any product issue or problem you have encountered. ZHIYUN reserves the right to reexamine damaged or returned products.

Customer Information

Customer Name:

Phone Number:

Address:

Sales Information

Sales date:

Product Serial Number:

Distributor Name:

Distributor's Contact Number:

First Maintenance Record

Service Date:

Repairman Signature:

Cause of Problem:

Service Result:

Solved

Unsolved

Refunded/Replaced



Website



Weibo



Vimeo



Google+



Facebook
(Zhiyun Support)



Facebook
(Zhiyun Tech)



Youku



Youtube



Wechat



Instagram

Tel: +86 400 900 6868

USA Hotline: +1 808-319-6137,9:00-18:00 GMT-7,Mon-Fri

Europe Hotline: +49 (0) 61018132180,10:00-17:00 GMT+1,Mon-Fri

Web: www.zhiyun-tech.com

E-mail: info@zhiyun-tech.com

Address: 09 Huangtong Road, Tieshan Industrial Zone, Qixing District, Guilin, 541004, Guangxi, China

Certificate of Quality

This product is confirmed to meet quality standards and permitted for sale after strict inspection.

QC Inspector: _____



For full product information, please visit ZHIYUN's official website: Content on www.zhiyun-tech.com is subject to update without notice.

ZHIYUN™ is a trademark of ZHISHEN

All product names or brands referred to hereunder may be trademarks or registered trademarks of their respective holders.

Copyright © 2024 ZHISHEN. All rights reserved.

ZHIYUN-TECH.COM